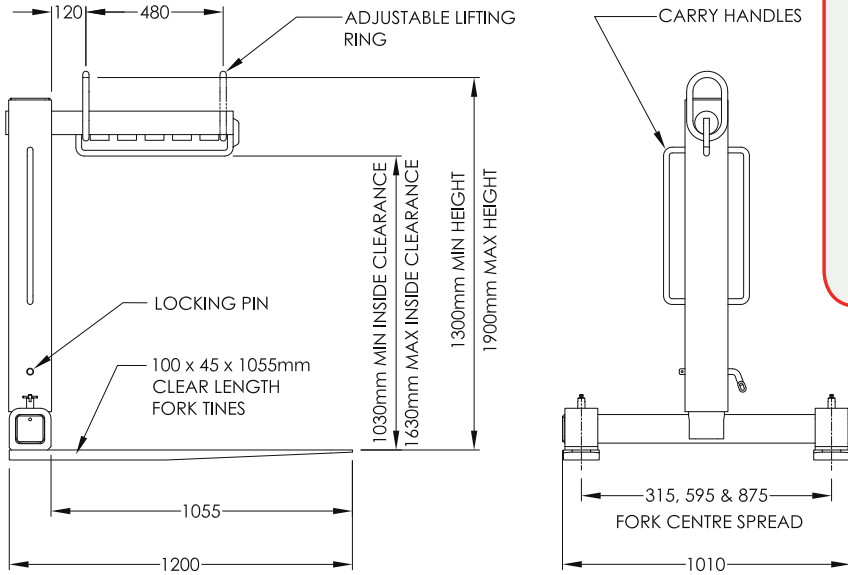


### Type PHD 2200 Pallet Hook

The PHD 2200 pallet hook is a versatile unit which features adjustable body height and fork tine width positioning, which makes this unit ideal for the transport and construction industry.

Load balancing is carried out by positioning the lifting ring to suit the centre of gravity of the load. Enamel paint finish.

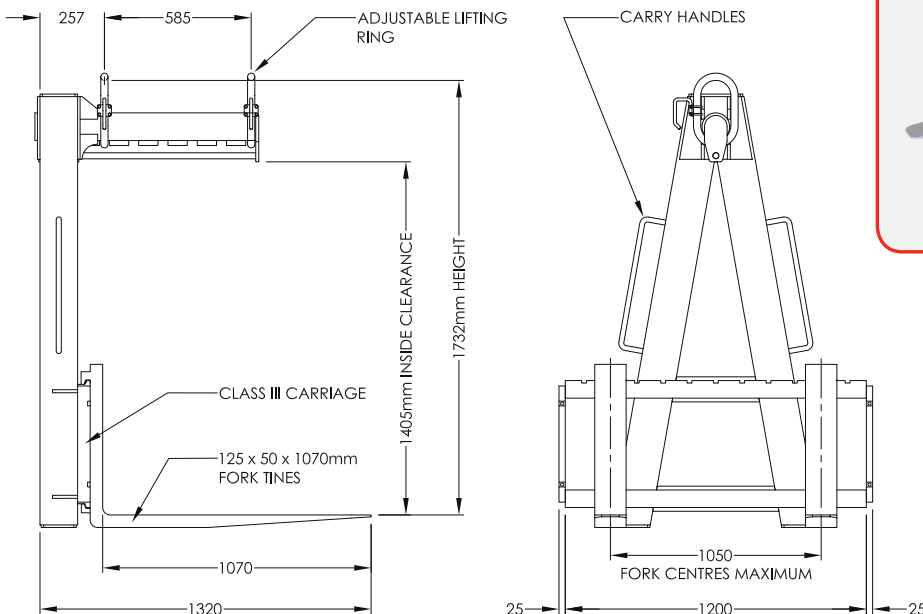


- Safe Working Load: 2200 kg
- Load Centre: 600 mm
- Unit Weight: 215 kg

### Type PHN 4500 Pallet Hook

A heavy capacity pallet hook suitable for loads up to 4.5 tonne. Fully adjustable tines out to a maximum of 1200mm make this unit extremely versatile.

Load balancing is carried out by positioning the lifting ring to suit the centre of gravity of the load. Enamel paint finish.



- Safe Working Load: 4500 kg
- Load Centre: 600 mm
- Unit Weight: 456 kg